

ROTAPULS

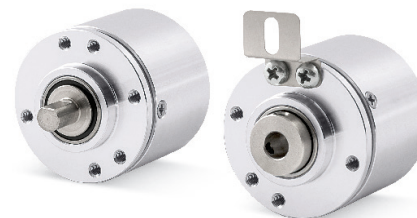
Magnetic incremental encoders

lika

Series

MI36 • MC36

- Compact magnetic incremental encoder
- Resolution up to 2048 pulses/rev.
- Ø 6 mm solid or hollow shaft
- IP67 with sealed circuits (optional)



MI36 • MC36

ENVIRONMENTAL SPECIFICATIONS

Shock:	250 g, 6 ms acc. to CEI EN 60068-2-27
Vibrations:	10 g, 5-2000 Hz acc. to CEI EN 60068-2-6
Protection:	IP65
Operating temperature range:	-25°C +85°C (-13°F +185°F)
Storage temperature range:	-25°C +85°C (-13°F +185°F) (98% R.H. without condensation)
Option:	• IP67 protection with sealed circuits

MECHANICAL SPECIFICATIONS

Dimensions:	see drawing
Shaft diameter:	Ø 6 mm
Shaft loading (axial, radial):	20 N max.
Shaft rotational speed:	12000 rpm max.
Starting torque (at 20°C):	0,1 Ncm (typical)
Bearings life:	10 ⁹ rev. min.
Electrical connections:	cabl output 1 m (3.3 ft)
Weight:	~ 50 g (1,7 oz)
Option:	• additional cable

ELECTRICAL SPECIFICATIONS

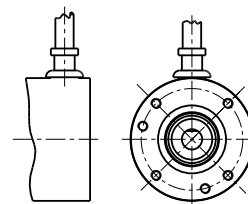
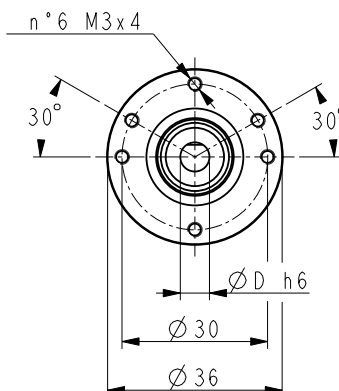
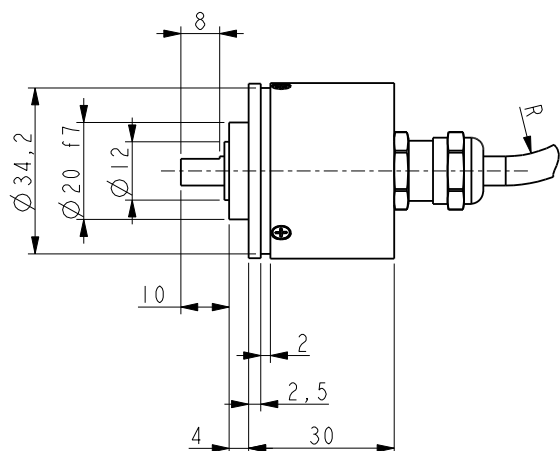
Resolution (PPR):	4-8-10-16-20-25-32-40-50-64-80-100-125-128 200-250-256-400-500-512-1024-2048
Accuracy:	± 1°
Counting frequency:	300 kHz max.
Output circuits:	NPN, Push-Pull, Line Driver
Power supply:	5Vdc ±5%, +10Vdc +30Vdc
Consumption:	50 mA max.
Output current (each channel):	40 mA max.
Protection:	against inversion of polarity and short-circuit (except L circuit)
EMC:	electro-magnetic immunity, according to: EN 61000-4-2 EN 61000-4-4

MATERIALS

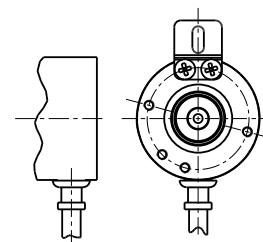
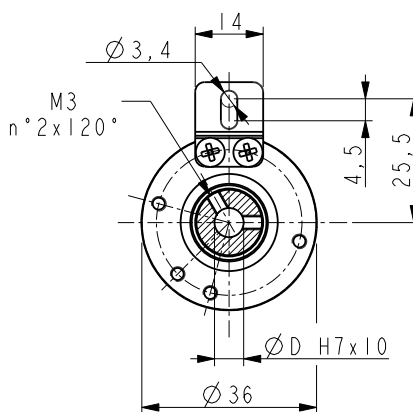
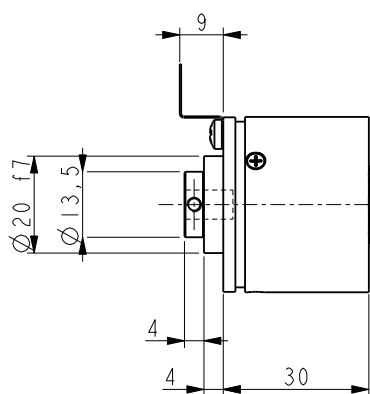
Flange:	anticorodal, UNI EN AW-6082
Housing:	anticorodal, UNI EN AW-6082
Bearings:	ABEC 5
Shaft:	stainless steel, non magnetic, UNI EN 4305

ACCESSORIES

PAN-6:	Aluminium coupling
PGF-6:	Flexible coupling



MI36



MC36

Order code

MI36	-	XX	-	XXXXX	-	XXX	-	XX	-	X	X	-	X	XXXX	/Sxxx
MC36		(a)		(b)		(c)		(d)		(e)	(f)		(g)	(h)	(i)

(a) OUTPUT CIRCUITS / POWER SUPPLY

N2 = NPN o.c., +10V ÷ +30V
 Y2 = Push Pull, +10V ÷ +30V
 L1 = Line Driver (RS422), +5V ± 5%

(b) RESOLUTION (PPR)

See electrical specifications

(c) OUTPUT SIGNALS

ZNF = ABO
 ZCU = ABO, /ABO

(d) SHAFT DIAMETER

06 = 6 mm

(e) PROTECTION

P = IP65 (standard)
 J = IP67 (with sealed circuits)

(f) OPERATING TEMPERATURE

T = -25°C +85°C (-13°F +185°F)

(g) CONNECTION POSITION

A = axial
 R = radial

(h) CABLE LENGTH

L010 = cable output 1 m (standard)
 L020 = cable output 2 m
 Lxx0 = cable out. x dm (max. length 10 m)

(i) CUSTOM VERSION

Document release	Date	Description
1.0	July 2024	New order code (deleted BCU and BNF outputs)